

MV 120 Series



Application

- Decoration of supply and exhaust vents of public, residential and industrial ventilation systems.
- Used for correct air flow distribution in premises.
- Wall or ceiling mounting.

Design

- Made of quality and durable plastic.
- Multi-element structure. The internal part is fixed to the base with latches for easy cleaning without dismantling.
- Screw fixing.
- The grille has slanted vanes.

Colour modifications



Modifications

MV 120 - basic modification



- Wall or ceiling mounting.
- **MV 120 s** - model with a protecting insect screen.



MV 120 R - model with an air flow regulator (R)



- Equipped with a movable flap for air flow regulation.
- Air pass is regulated with a tilt wand or pull cords.
- **MV 120 Rs** - model with air flow regulator and a protecting insect screen.



MV 120 V - model with a round flange (V)



- Fitted with a round connecting flange for mounting with Ø 125 mm air duct.
- Suitable for direct mounting with VENTS VKO 125 fan.
- **MV 120 Vs** - model with a round flange and a protecting insect screen.



MV 120 VR - model with a round flange and air flow regulator (VR)



- Fitted with a round connecting flange for mounting with \varnothing 125 mm air duct.
- Equipped with a movable flap for air flow regulation.
- Air pass is regulated with a tilt wand or pull cords.
- Suitable for direct mounting with VENTS VKO 125 fan.
- **MV 120 VRs** - model with a round flange, air flow regulator and a protecting insect screen.



MV 120 VN - model with a flange with various diameters (VN)



- Fitted with a round connecting flange for mounting with \varnothing 100/110/120/130/150 mm air duct.
- MV 120 VNs - model with a round flange with various diameters and a protecting insect screen.



MV 120 VNR - model with a flange with various diameters and air flow regulator (VNR)



- Fitted with a round connecting flange for mounting with \varnothing 100/110/120/130/150 mm air duct.
- Equipped with a movable flap for air flow regulation.
- Air pass is regulated with a tilt wand or pull cords.
- MV 120 VNRs - model with a round variable diameter flange, air flow regulator and a protecting insect screen.



Overall dimensions

| Model | Dimensions, mm | | | | | Air pass, m ² | Fig. no. |
|------------|----------------|-----|----|-----|---------|--------------------------|----------|
| | □B | □H | L | L1 | D | | |
| MV 120 | 186 | 142 | 15 | - | - | 0,0115 | 1, 2 |
| MV 120 R | 186 | 142 | 15 | - | - | 0,0062 | 1, 2 |
| MV 120 V | 186 | 142 | 15 | 45 | 125 | 0,0083 | 1, 3 |
| MV 120 VR | 186 | 142 | 15 | 45 | 125 | 0,0044 | 1, 3 |
| MV 120 VN | 186 | 142 | 15 | 115 | 100-150 | 0,009 | 1, 4 |
| MV 120 VNR | 186 | 142 | 15 | 115 | 100-150 | 0,0051 | 1, 4 |

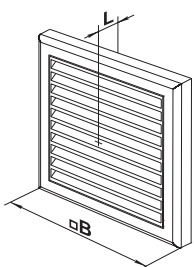


Fig. 1

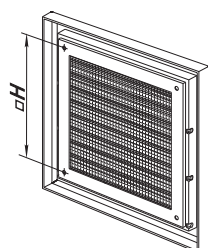


Fig. 2

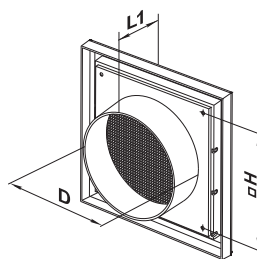


Fig. 3

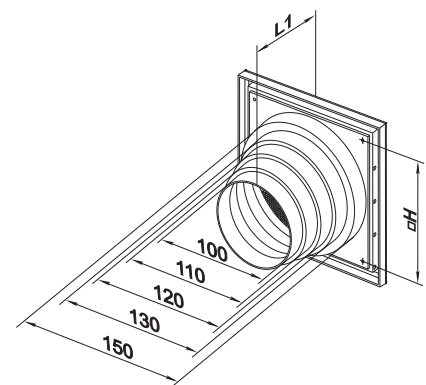


Fig. 4